

Full Flat

The comfort of full-flat expands

Feel the supple leather on the skin as the comfortably stable and springy seat slowly reclines to the full-flat position.

Cushioning the entire body for relaxing comfort, the full-flat seat transforms the time spent in salons.

Bringing Yume Espoir to all salons.

A new style of relaxation enhances salon hospitality even further.





Yume Spa

Proposals for "relaxation" and "beauty" expand

What customers' nowadays require of salons is a slightly luxurious space and time so they can feel as though their daily lives are enriched. Providing both physical and mental relaxation, as well as the care that enhances the beauty of the hair, the head spa is a service that truly offers customers that sense of luxury. In addition to the comfort of the full-flat seat, Yume Espoir offers the optimal specifications for head spa treatments in every respect. Proposals for "relaxation" and "beauty" and head spa services satisfy customers.





Comfortable

The comfort of elegance by inheriting the Yume concept

The Yume concept of relaxation quality is also emphasized in Yume Espoir. Full-flat seats, neck devices, and sitting styles have inherited the comfortable functionality and technology cultivated with Yume.

- Full-flat seats that let customers relax
- Neck devices maintain comfort even during lengthy treatments
- Sitting styles let staff provide treatments in comfort



Stylish Form

Stylish form with a sense of unity

The light, functional separate structure is ideal for providing a comfortable treatment environment.

Presenting a sense of unity that connects the chair and basin, the form is outstanding.

With modern sophistication, the simple design blends in with the interior décor of any salon.



Customize

Variations selected according to shampooing style



for Backwash Shampoo

■ Basin shape designed specifically for back approaches

Height of the rear edge of the basin is made low so that the stylist's elbows will not hit the basin during services. Wide basin and low edges are perfect for approaching from the back.

■ Quiet water drainage employing ventilating valves

The drainage pipe in the basin is equipped with ventilating valves, which reduces the unpleasant noise when water drains from the basin.

■ Easy-to-use faucet fittings layout

The shower head is located at the center back of the basin, while the water tap and temperature control knob are located with bilateral symmetry inside the basin. With adjustable fine temperature settings during head spa services, this layout is unique to Yume. *Water valve layout may differ depending on the region.



Both shampoo and head spa services can be provided from the back in a seating style.



Height of the rear edge of the basin is made low so that the stylist's elbows will not hit the basin during services.

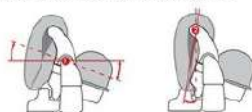
NECK

■ Comfortable neck device for head spa specifications



Two head cushions and one neck cushion supports the head in three different areas creating the perfect balance for long period of treatments.

(SIDE VIEW OF THE NECK SUPPORT)



2-axis design adjusts to the contours of the head and helps every customer maintain ultimate comfort.

■ NECK HEIGHT

Neck height of the basin is fixed at 800 mm (31.5 inches), which is a suitable height for stylists to give services in a seating posture.

SHOWER HEAD

■ Selectable showerheads



Choose from the adjustable shower head and standard shower head.

■ Adjustable shower head



With sufficient water flow volume and water pressure, this shower head can switch between shower and low-splash foaming mode depending on the treatment.

■ Rotation plug that rotates to open / close



The basin is equipped with a new mechanism that fills or drains the basin simply by rotating the plug.

*At the end of the workday or when the chair is not being used for a lengthy period, please remove the drainage plug from the basin.

Quality

A comfortable chair embodying hospitality for customers

With a design that gives careful consideration to customer needs and comfort, as well as mechanisms that could only be created by Takara Belmont, the basin, comfort, and functionality of the chair demonstrate the true value of this product.

FEATURES

[For Premium Line only]

■ Wide seats encompassing the body

In order for customers with varying body shapes to relax comfortably in the chair, the design provides an extra 25 mm (1 inch) of seat width on each side. Wider seats combined with softer, highly comfortable cushion materials and fine stitching realize a level of comfort that envelops the customer.



■ Foot heaters included as standard equipment

The heaters installed in the leg rest raise the added value by providing customers with greater comfort and warmth during treatments.



* This function is not available for some regions.

[For Both Premium Line and Basic Line]

■ EASY SETTING

Synchronized movement of the chair up / down and the backrest reclining allows smooth setting to the shampooing position.



■ LOW INITIAL HEIGHT

Low initial height allows easy approach for any customers no matter their height.



■ FOOT CONTROL

Preset, auto return, and manual controls can be done by a foot control. This feature means that even if your hands are busy at the basin you can change any aspect of the chair without disturbing your customer.



■ For treatment between the basin and chair

295 mm (11.6 inches) space is created between the basin and the chair when the backrest is in the upright position, allowing stylists to stand in between the basin and the chair for giving services such as shoulder massages and product application.



Coordinate

Coordinating the salon's concept / image

Various combinations of chair type, leather color, and cover allow salons to coordinate the device to match their own unique concept or image.

SEAT LINE

Premium Line



IVORY
(SH15)



DARK BROWN
(SH24)



MAROON
(SH7)



BLACK
(SH1)

In designing these products, we were especially particular in creating wide seats, high cushioning, fine stitching, and supple leather. We paid careful attention to the finest detail in order to realize a high-quality level of comfort when sitting in the chair. These products are recommended for salons that want to provide total beauty services.

■ Fixed Leg Rest Version



■ Adjustable Leg Rest Version

Leg rest moves in conjunction with the backrest. Leg rest folds down, allowing easy approach for the customers and space-saving for the salons.



Basic Line



WHITE
(NL1)



DARK BROWN
(NL24)



BLACK
(NL5)



CAMEL
(NL22)



RED
(AS1)

The slim, stylish design has a simple finish. The slightly firm seat fits comfortably to the body and provides comfort even for long periods of time. These products are recommended for salons preferring a stylish design.

■ Fixed Leg Rest Version



■ Adjustable Leg Rest Version



COVER COLOR

BLACK



LUXE SILVER



Option

STOOL

ESPOIR Stool

EX-ESST

Size: W360×D390×H474~680mm
(W14.17×D15.35×H18.66~26.77 inches)

The simple specifications integrate the functions necessary for shampooing in a sitting position and lighten the stool. The seat swings forward while the customer is seated. This product also lets the salon provide head spas and other treatments in comfort.



Lifting stroke : 200mm (8.11 inches)



Maximum swing angle: approximately 8 degrees in the forward direction from the vertical position.

WAGON

YUME Wagon

- WHITE
SR-ES WH
- WOOD
SR-ES WD



WHITE



WOOD

MIST

SPA MIST 2

AK-160SBR/AY-160S



OTHERS

YUME Shampoo Cape

EA-YMCP



With 'YUME' logo

Optional Accessories

● Leg Rest Cover

- For Premium Line
EA-ESPVCL
- For Basic Line
EA-ESBVCL



(* The above picture is for Premium Line.)

- Yume Neck Cushion for Backwash Basin
EA-YMN

- Yume Head Cushions for Backwash Basin
EA-YMH2

COMBINATION LIST

BASIN	CHAIR	BODY COVER COLOR
Backwash Basin	Basic Line Fixed Leg Rest Version	Black Luxe Silver
	Basic Line Adjustable Leg Rest Version	
	Premium Line Fixed Leg Rest Version	
	Premium Line Adjustable Leg Rest Version	

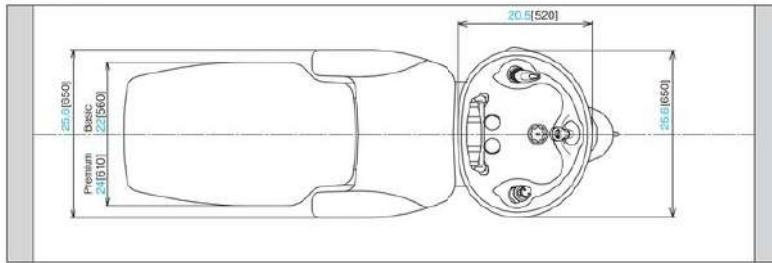
Specifications

DIMENSIONS

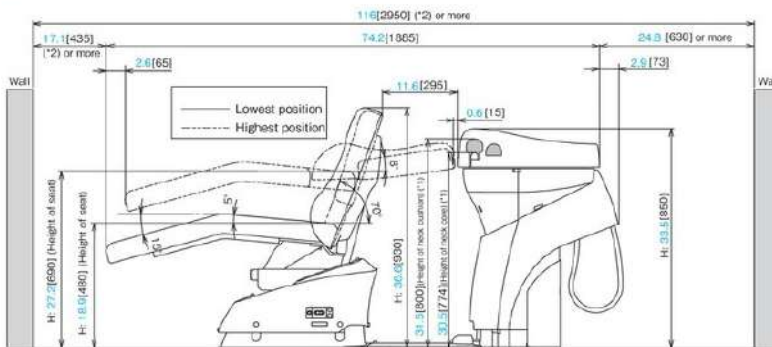
[Overall layout diagram] (Unit: inch [mm])

Unit: Backwash Type Chair: Fixed Leg Rest Seat: Basic

Top view

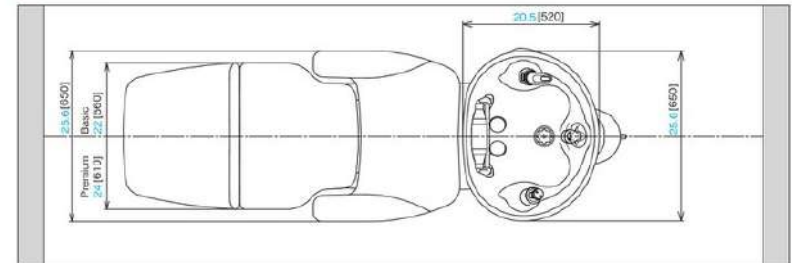


Side view

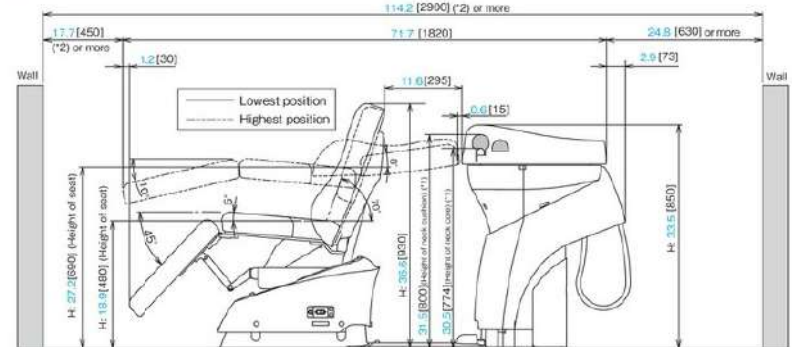


Unit: Backwash type Chair: Adjustable Leg Rest Seat: Basic

Top view



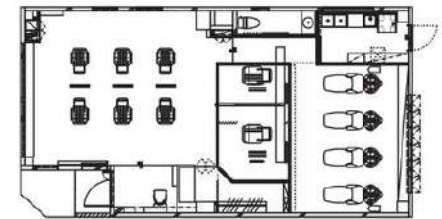
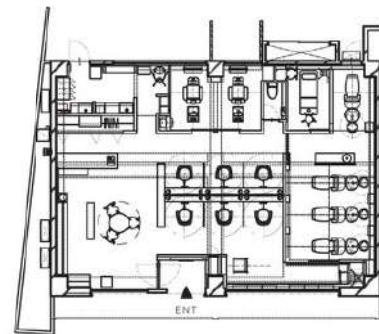
Side view



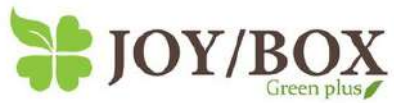
*1 The dimensions listed above may vary slightly from product to product.
*2 Ensure that there is ample space surrounding the seat for extremely tall customers or if the surrounding area is used as a passageway.

	Height of neck cushion	Height of neck core
Backwash Type (AY-EXCE3YM)	31.5 (800)	30.5 (774)

Salon construction example



UNCHEL



Espoir gallery



TAKARA BELMONT GROUP

JAPAN TAKARA BELMONT CORPORATION, OSAKA HEADQUARTERS

Tel: +81-6-6212-3523 E-mail: beauty@takara-net.com Web: www.takarabelmont.co.jp/global/

U.S.A. TAKARA BELMONT USA, INC.

Tel: +1-732-469-5000 E-mail: webmaster@takarabelmont.com Web: www.takarabelmont.com

CANADA TAKARA COMPANY, CANADA, LTD.

Tel: +1-905-822-2755 Toll-free: +1-800-269-5351 Web: www.takarabelmont.ca

BRAZIL TAKARA BELMONT PARA AMERICA DO SUL INDUSTRIA E COMERCIO DE MOVEIS LTDA.

Tel: +55-11-3147-4040 E-mail: takbel@takarabelmont.com.br Web: www.takarabelmont.com.br

U.K. TAKARA BELMONT (UK) LTD.

Tel: +44-20-7515-0333 E-mail: hairdressing@takara.co.uk Web: www.takara.co.uk

GERMANY TAKARA BELMONT FRANKFURT OFFICE

Tel: +49-69-2972-8090 E-mail: info@takara-belmont.de Web: www.takara.co.uk

KOREA TAKARA BELMONT (KOREA) CORPORATION

Tel: +82-2-413-5977 E-mail: info@takarabelmont.co.kr Web: www.takarabelmont.co.kr

TAIWAN TAKARA BELMONT (TAIWAN) CORPORATION

Tel: +886-2-8789-0809 E-mail: takara.twn@msa.hinet.net Web: www.takara-tw.com

CHINA TAKARA BELMONT (SHANGHAI) CORPORATION

Tel: +86-21-8272-8166 E-mail: takara-china@takarabelmont.com.cn Web: www.takarabelmont.com.cn

SINGAPORE TAKARA BELMONT SINGAPORE PTE. LTD.

Tel: +65-6316-1110 E-mail: hairdressing@takarabelmont.sg Web: www.takarabelmont.sg